

ACTUATOR SERIES 90 3-POINT



3-point

ESBE actuator Series 90 for operating ESBE mixing valves DN 15–150. This series is provided with adjustable cam discs to obtain an operating range 30°–180° which makes the series very flexible.

OPERATION

The ESBE series 90 actuator is a compact actuator for operating rotary mixing valves. The actuator is reversible and is provided with limit switches which are actuated by cam discs. By adjusting the cam discs an operating range from 30° to 180° can be obtained. The actuator is provided with a disconnection for manual operation and has an indication on the front showing valve position.

The 3-point signal control actuator is available for 24 V AC, 50/60 Hz, or 230V, 50 Hz with different running times as shown in the table.

SUITABLE MIXING VALVES

- Series VRG100*
- Series VRG200*
- Series VRG300*
- Series VRH100*
- Series VRB100*
- Series MG
- Series G
- Series F
- Series BIV
- Series T, TM
- Series H and HG

*Separate adaptor kit is required, see below

ADAPTOR KITS

Required adaptor kits for easily fitting onto an ESBE rotary mixing valve is available in three different styles. Adaptor kit designed for ESBE mixing valve series MG, G, F, BIV, H, HG is supplied with each actuator. Adaptor kits for ESBE mixing valve series VRG, VRH and VRB can be ordered separately.

Art. No.

16051300 (= supplied with actuator)

_____ ESBE valve series MG, G, F, BIV, T, TM, H, HG

16053300 _____ ESBE valve series VRG, VRH, VRB

Adaptor kits for other mixing valves and valves built-into boilers are available as follows:

Art. No.

16053600 _____ BRV, Meibes, Oventrop**, Watts

16053900 _____ Honeywell Centra ZR, DR, DRG, DRU (DN15–50)

16051700 _____ Honeywell Centra Kompakt DRK/ZRK

16051300 _____ Sauter MH32...H42...

16052600 _____ Schneider Electric/TAC-TRV

16052500 _____ Siemens VBG31, VBI31, VBF21, VCI31***

16051400 _____ TA-VTR, TA-STM

16051500 _____ Viessmann (DN20–25)

OPTIONS

Art. No.

98100690 _____ Separate auxiliary switch, see table next page marked **

TECHNICAL DATA

Ambient temperature: _____ max. +55°C

_____ min. -15°C

Power supply: _____ 24 ± 10% V AC, 50 Hz

_____ 230 ± 10% V AC, 50 Hz

Power consumption: _____ Actuator 24 V AC, 2 VA

_____ Actuator 230 V AC, 5 VA

Enclosure rating: _____ IP 54

Protection class: _____ II

Torque: _____ See table

Rating auxiliary switch: _____ 6(3) A 250 V AC

Weight: _____ 0,8 kg

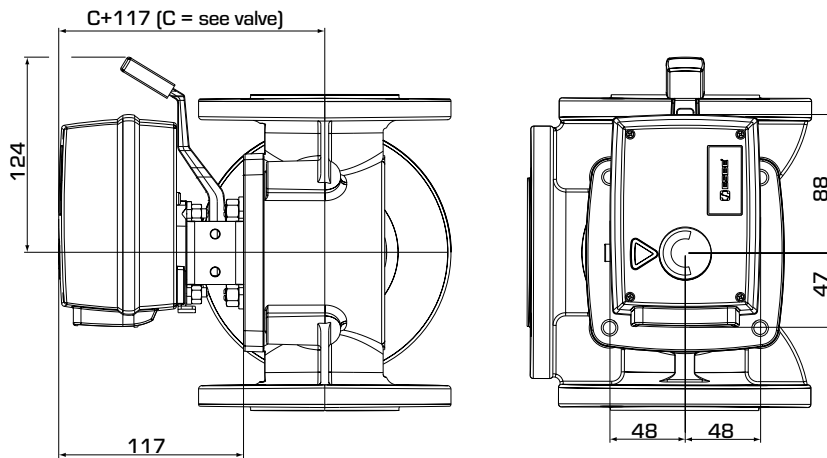
CE LVD 2014/35/EU
EMC 2014/30/EU
RoHS3 2015/863/EU



Wiring - Please see the Installation instruction

Notes: **For Oventrop mixing valves until ~2015 (old design of the housing). *** ≤ DN50

ACTUATOR SERIES 90 3-POINT



Installation dimensions for
Actuator Series 90

SERIES 90, 3-POINT 24 V AC

Art. No.	Reference	Voltage [V AC]	Running time 90° [s]	Torque [Nm]	Control signal*	Remark
12050600	92	24	60	15	3-point SPDT	Separate auxiliary switch as option**
12051100	92M					With premounted auxiliary switch
12050700	92-2	24	120	15	3-point SPDT	Separate auxiliary switch as option**
12051300	93	24	240	15	3-point SPDT	Separate auxiliary switch as option**

SERIES 90, 3-POINT 230 V AC

Art. No.	Reference	Voltage [V AC]	Running time 90° [s]	Torque [Nm]	Control signal*	Remark
12051700	94	230	15	5	3-point SPDT	Separate auxiliary switch as option**
12051800	94M					With premounted auxiliary switch
12051900	95	230	60	15	3-point SPDT	Separate auxiliary switch as option**
12052200	95M					With premounted auxiliary switch
12052000	95-2	230	120	15	3-point SPDT	Separate auxiliary switch as option**
12052100	95-2M					With premounted auxiliary switch
12052300	96	230	240	15	3-point SPDT	Separate auxiliary switch as option**

* 3-point SPDT = Single Pole Double Throw